

Small size photoelectric sensors PSS series



Features

- 18mm threaded cylindrical mounting, easy to install
- Short case for small installation space
- Big knob design for easy adjustment
- IP67 protection, suitable for harsh environments
- Visible red spot for easy installation and debugging



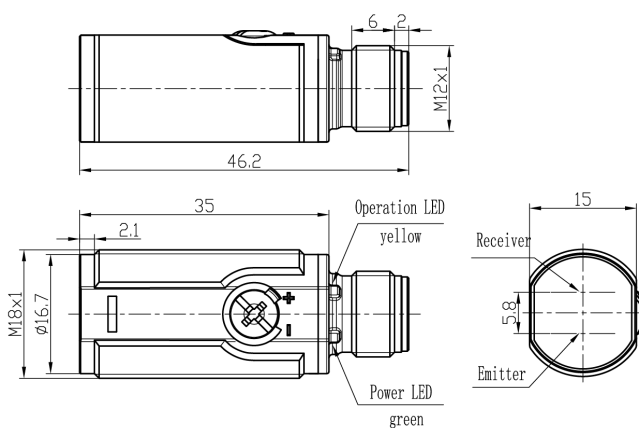
Model

NPN NO/NC	PSS-BC40DNBR-E2	PNP NO/NC	PSS-BC40DPBR-E2
-----------	-----------------	-----------	-----------------

Specifications

Detection type	Diffuse reflection	Hysteresis	3...20%
Detection distance	40cm	Indicator	Green light: power, stable signal (unstable signal flash)
Light source	Red light (640nm)		Yellow light: output, overload or short circuit (flash)
Spot size	15*15mm@40cm	Anti-ambient light	Anti-sunlight interference $\leq 10,000\text{lux}$; Incandescent light interference $\leq 3,000\text{lux}$
Output	NPN NO/NC or PNP NO/NC	Operating temperature	-25...55 °C
Response time	$\leq 0.5\text{ms}$	Storage temperature	-25...70 °C
Supply voltage	10...30 VDC	Protection degree	IP67
Consumption current	$\leq 20\text{mA}$	Certification	CE
Load current	$\leq 200\text{mA}$	Material	Housing: PC+ABS; Filter: PMMA
Voltage drop	$\leq 1\text{V}$	Connection	M12 connector
Circuit protection	Short-circuit, overload, reverse polarity and zener protection		
Distance adjustment	Single-turn potentiometer		
NO/NC adjustment	Feet 2 is connected to the positive pole or hang up, NO mode; Feet 2 is connected to the negative pole, NC mode		

Dimensions



Circuit Diagrams

